



# NEW HOLLAND

**W50<sub>BTC</sub> W60<sub>BTC</sub> W70<sub>BTC</sub> W80<sub>BTC</sub>**



	W50BTC	W60BTC	W70BTC	W80BTC
ENGINE POWER	40 kW - 55 hp	48 kW - 64 hp	55 kW - 74 hp	61 kW - 82 hp
MAXIMUM OPERATING WEIGHT	4800 kg	5 085 kg	5580 kg	5 930 kg
BUCKET CAPACITY	0.70 - 0.80 m <sup>3</sup>	0.80 - 0.90 m <sup>3</sup>	0.90 - 1.00 m <sup>3</sup>	1.00 - 1.20 m <sup>3</sup>



**NEW HOLLAND**

**CONSTRUCTION**

**BUILT AROUND YOU**

# W50BTC/W60BTC/W70BTC/W80BTC



## MODERN, SPACIOUS AND ERGONOMIC ROPS/FOPS CAB

- With all round 360° visibility. Front and rear wipers, heater and defroster for easy operations in all weather conditions. All controls are ergonomically positioned; adjustable steering column and retractable seat belt.
- Instrument panel with analogue gauges which monitor engine oil temperature and fuel level. The hourmeter is integrated in the instrument cluster.



## JOYSTICK

- Pilot controlled joystick:
  - To operate arm and bucket
  - Integrating F/N/R button and speed shift selector



## NEW CNH TIER 3A ENGINE

- The new, modern, turbocharged, water cooled, low consumption and low emission CNH engine complies with 97/68/EC Standards Tier 3A.
- To enhance cooling and cleaning efficiency, water and hydraulic oil aluminium type coolers, are now mounted in parallel and repositioned on the rear left side of the engine compartment.



## HYDROSTATIC TRANSMISSION & AXLES

- Fully hydrostatic transmission with two speeds variable displacement hydraulic motor:
  - 1st speed: 0 - 6 km/h
  - 2nd speed: 0 - 20 km/h
- The hydraulic motor drives directly the front axle and effects the rear one by joint shaft.
- Front axle is equipped with standard Limited Slip Differential and it is fixed. Rear axle oscillates +/- 12°.
- Both axles have planetary reduction outboard.

### BRAKES

Hydraulic, calliper brake on front axle input flange, effecting rear axle by joint shaft. One left brake/inch pedal, activating reduces hydraulic flow to the transmission and than applies hydraulic pressure on calliper brake. Parking brake: mechanical, on front axle input flange and joint shaft.

### HIGH SPEED version (W60BTC/W70BTC/W80BTC) includedes as standard:

- two additional wet disc brakes on front axle, close to planetaries.
- Limited slip differential also on rear axle
- Speedometer

Max Travel speed up to 35 km/h





## OUTSTANDING STABILITY

■ In both bucket and fork applications even at 40° articulation thanks to the long wheel base, the weight distribution, the low centre of gravity and rear axle oscillation.

## LOADER ARMS

- MONO BOOM parallel linkage
  - torsion resistant, precision welded box design
  - excellent visibility to the front tool and quick hitch
  - precise parallel lift throughout the cycle (+/-1°)
  - constant high breakout force and fast dumping speeds



## STANDARD HYDRAULIC QUICK-HITCH

- - versatile in all kinds of applications
- compatible to the New Holland Skid Steer Loaders and Compact Track Loaders coupler norm
- quick and easy changeover of forks, multi-purpose and 4 in 1 buckets from inside the cab



## ACCESSIBILITY

- When compared with previous models you will see that the layout of the main components and their accessibility has been improved for easier maintenance and servicing from ground level.



# W50BTC/W60BTC

## SPECIFICATIONS



### ENGINE TIER 3A - W50BTC

Engine power (ISO ECE R120) .....41 kW/55 hp  
 Net engine power (SAE J1349).....38 kW/51 hp  
 Engine speed .....2300 rpm  
 Make and model.....CNH F5C E9454C  
 Type:.....diesel, watercooled, turbo, direct injection  
 Number of cylinders .....4  
 Bore x stroke / displacement .....99 x 104 mm / 3.2 l  
 Max torque at 1250 rpm .....240 Nm  
 Air filter .....dry type with warning indicator  
*The engine conforms to 97/68/EC Standards Tier 3A.*



### ENGINE TIER 3A - W60BTC

Engine power (ISO ECE R120) .....48 kW/64 hp  
 Net engine power (SAE J1349).....45 kW/60 hp  
 Engine speed .....2300 rpm  
 Make and model.....CNH F5C E9454G  
 Type:.....diesel, watercooled, turbo, direct injection  
 Number of cylinders .....4  
 Bore x stroke / displacement .....99 x 104 mm / 3.2 l  
 Max torque at 1250 rpm .....290 Nm  
 Air filter .....dry type with warning indicator  
*The engine conforms to 97/68/EC Standards Tier 3A.*



### ENGINE TIER 3A - W70BTC

Engine power (ISO ECE R120) .....55 kW/74 hp  
 Net engine power (SAE J1349).....51 kW/68 hp  
 Engine speed .....2500 rpm  
 Make and model .....CNH F5C E9454E  
 Type:.....diesel, watercooled, turbo, direct injection  
 Number of cylinders .....4  
 Bore x stroke / displacement .....99 x 104 mm / 3.2 l  
 Max torque at 1250 rpm .....280 Nm  
 Air filter .....dry type with warning indicator  
*The engine conforms to 97/68/EC Standards Tier 3A.*



### ENGINE TIER 3A - W80BTC

Engine power (ISO ECE R120) .....61 kW/82 hp  
 Net engine power (SAE J1349).....57 kW/76 hp  
 Engine speed .....2500 rpm  
 Make and model .....CNH F5C E5454B  
 Type:.....diesel, watercooled, turbo, direct injection  
 Number of cylinders .....4  
 Bore x stroke / displacement .....99 x 104 mm / 3.2 l  
 Max torque at 1250 rpm .....310 Nm  
 Air filter .....dry type with warning indicator  
*The engine conforms to 97/68/EC Standards Tier 3A.*



### ELECTRICAL SYSTEM ALL MODELS

Operating voltage .....12 V  
 Alternator .....95 A  
 Battery .....1 x 95 Ah



### HYDRAULIC SYSTEM - W50BTC

Type .....gear type pump for implement and steering,  
 open centre circuit, pressure/flow compensated.  
 3rd hydraulic function for 4-in-1 bucket.  
 Max. flow .....52 l/min  
 max. working pressure .....250 bar



### HYDRAULIC SYSTEM - W60BTC

Type .....gear type pump for implement and steering,  
 open centre circuit, pressure/flow compensated.  
 3rd hydraulic function for 4-in-1 bucket.  
 Max. flow .....74 l/min  
 max. working pressure .....270 bar



### HYDRAULIC SYSTEM - W70BTC

Type .....gear type pump for implement and steering,  
 open centre circuit, pressure/flow compensated.  
 3rd hydraulic function for 4-in-1 bucket.  
 Max. flow .....70 l/min  
 max. working pressure .....270 bar



### HYDRAULIC SYSTEM - W80BTC

Type .....gear type pump for implement and steering,  
 open centre circuit, pressure/flow compensated.  
 3rd hydraulic function for 4-in-1 bucket.  
 Max. flow .....80 l/min  
 max. working pressure .....270 bar



### TRANSMISSION ALL MODELS

Type.....hydrostatic transmission, (with automatic power regulation),  
 inching pedal (slow approach), directional and gear change  
 integrated into the loader control handle.  
 Permanent 4 wheel drive.

Forward/ Reverse speeds km/h  
 1° .....0-6.0  
 2° .....0-20.0

**Optional HIGH SPEED** version available for  
 W60BTC/W70BTC/W80BTC  
 1° **HIGH SPEED** .....0-5.5  
 2° **HIGH SPEED** .....0-16.5  
 plus 2° **HIGH SPEED** (mechanical gear section for travelling) ..0-35.0



### AXLES - ALL MODELS

All wheel drive with planetaries outboard  
 Front axle rigid.....limited slip differential as standard  
 Real axle oscillating .....±12°  
 Optional limited slip differential  
 Standard Limited slip differential on **HIGH SPEED** version  
 (W60BTC/W70BTC/W80BTC)

# W70BTC/W80BTC



## BRAKES - ALL MODELS

Hydrostatic Brake.....(on Transmission) actuated over inch brake pedal, in combination with Service Brake  
 Service Brake.....hydraulically actuated dry disk type, direct on front axle input flange and on joint shaft  
**HIGH SPEED** version (W60BTC/W70BTC/W80BTC) has two additional wet disc brakes on front axle, close to planetaries.  
 Parking brakes....mechanical, on front axle input flange and joint shaft



## STEERING

Type .....ORBITROL  
 Articulation angle .....±40°  
 Turning radius - bucket corner:  
 - W50BTC.....4.3 m  
 - W60BTC.....4.5 m  
 - W70BTC.....4.6 m  
 - W80BTC.....4.7 m



## CAB AND CONTROLS

- Modern, spacious and ergonomic
- All round 360° visibility
- ROPS/FOPS
- Radio pre-equipment
- Adjustable steering column
- Heater and defroster
- Fully adjustable, cloth suspension seat
- Key start
- Foot throttle
- Electronic speed shift control and F/N/R switch in loader control handle
- Retractable seat belt
- Cup holder
- Storage tray
- Sun screen front and rear
- Dome light
- Wipers front and rear
- 12-volt auxiliary power
- External rearview mirrors
- Coat hook



## CAPACITIES

Engine	litres
- Lubrication oil.....	8.5
- Cooling system.....	16.5
- Fuel tank.....	100.0
- W50B Front & Rear axle (each).....	8.9
Front Axle (W60B/70B/80B).....	9.2
Rear Axle (W60B/70B/80B).....	9.4
Rear Axle (With high Speed W60B/70B/80B).....	10.2
Total Hydraulic system: W50B-W60B-W70B-W80B.....	56-67-67-74



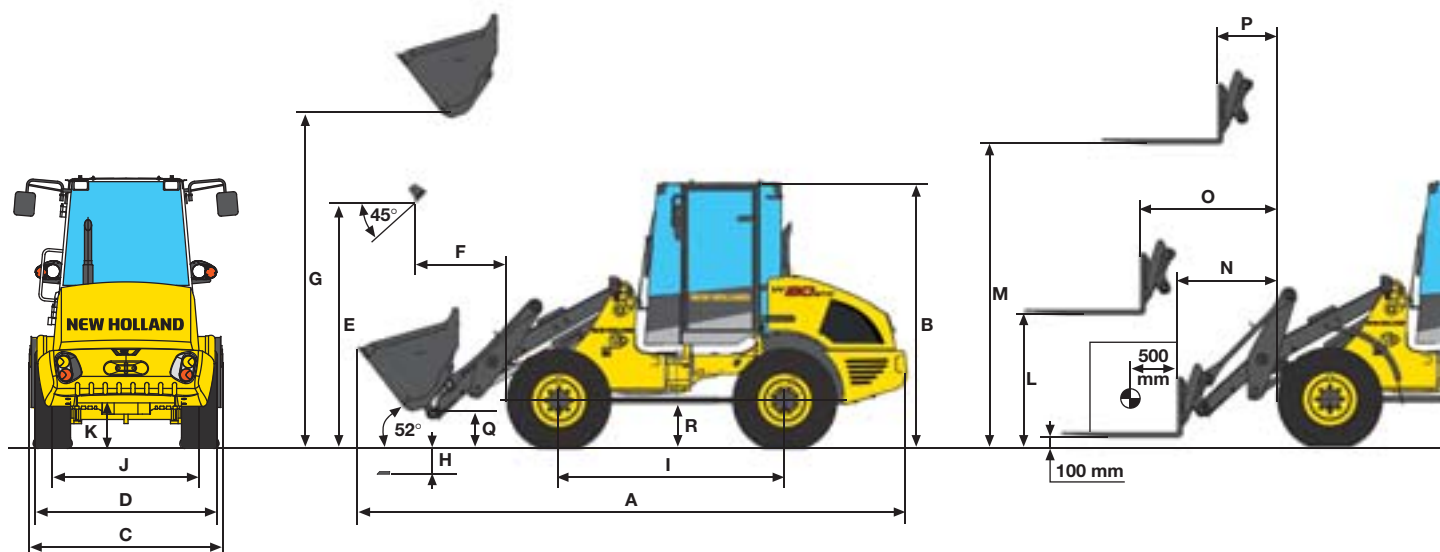
# W50BTC/W60BTC/W70BTC/W80BTC

## DIMENSIONS - OPERATING WEIGHT

WITH MULTIPURPOSE BUCKET		W50BTC	W60BTC	W70BTC	W80BTC
<b>A</b> Overall length	mm	5330	5435	5600	5755
<b>B</b> Cab height	mm	2680	2800	2800	2800
<b>D</b> Width over tyres	mm	1860	1910	1905	1980
<b>E</b> Dump clearance	mm	2530	2585	2620	2635
<b>F</b> Bucket dumping reach	mm	825	790	845	890
<b>G</b> Maximum pin height	mm	3245	3300	3385	3460
<b>H</b> Digging depth	mm	90	60	85	90
<b>I</b> Wheelbase	mm	2180	2250	2350	2350
<b>J</b> Tread width	mm	1480	1525	1525	1570
<b>K</b> Ground clearance at disc brake	mm	330	330	330	330
Max. Operating weight (incl add. CW)	kg	4800	5085	5580	5930
<b>Q</b> Pin high in carry position	mm	370	370	370	370
<b>R</b> Ground clearance under joint shaft	mm	415	415	415	415

## PERFORMANCE

WITH MULTIPURPOSE BUCKET		W50BTC	W60BTC	W70BTC	W80BTC
Standard bucket capacity (1.8 density)	m <sup>3</sup>				
Breakout	daN				
Tipping load - Straight ISO	mm				
Tipping load - turned to 40° ISO	kg				
<b>C</b> Bucket width	kg				
Lift capacity at ground level (hydr)	daN				



## DIMENSIONS - OPERATING WEIGHT

WITH PALLET FORKS		W50BTC	W60BTC	W70BTC	W80BTC
Fork length	mm	1200	1200	1200	1200
Fork support width	mm	1450	1450	1450	1450
Weight	kg	370	370	370	370
<b>L</b> Height at maximum reach	mm	1380	1440	1490	1490
<b>M</b> Maximum height	mm	3040	3100	3180	3260
<b>N</b> Ground reach	mm	850	740	760	820
<b>O</b> Maximum reach	mm	1330	1270	1300	1350
<b>P</b> Reach at maximum height	mm	595	535	570	555
Tipping load - turned to 40° ISO	kg	2050	2220	2650	2770
Payload flat terrain (80%) - turned	kg	1640	1780	2120	2220
Payload rough terrain (60%) - turned	kg	1230	1340	1590	1660
Operating weight (incl add. CW)	kg	4785	5040	5520	5835

# STANDARD EQUIPMENT

- 3rd hydraulic function (for 4-in-1 bucket, add hydr. attachments)
- 4 wheel drive
- Adjustable steering column
- Air filter warning
- Alarm and warning lights
- Bucket equipment control lever with F/N/R and speed shift selector
- Cab air filter
- Dry disc service and parking brake
- Electrical circuit protection
- Forward or reverse drive indicator
- Front and rear wide fenders
- Front halogen flood headlights
- Full suspension and fully adjustable bucket-type seat
- Heated cab
- HIGH SPEED version available for W60BTC, W70BTC, W80BTC, includes:
  - limited slip differential on rear axle
  - two additional wet disc brakes on front axle;
  - speedometer
- Hydraulic cooler
- Hydraulic quick coupler (SSL compatible)
- Hydraulic return filter
- Horn
- Hourmeter
- Inching pedal
- Planetary reductions outboard
- Retractable seat belt
- ROPS/FOPS cab
- Tail flash and stop lights combined

# OPTIONAL

- Additional headlight
- Anti-theft device
- Automatic return to dig
- Back-up alarm
- Heavier counterweight (check your country configuration!)
- Hinge window latch
- High performance heating with air conditioning
- Hose rupture valves on loader arms (Not in combination with LTS)
- Limited slip differential rear axle (Standard on HIGH SPEED versions)
- LTS Load Transportation Stabilisator (Not in combination with safety valves)
- Radio-cassette player
- Rotating beacon
- Working lights front & rear

Note: standard and optional equipment may vary by country. Consult your NEW HOLLAND dealer for specific details.

## BUCKETS

MODEL	SAE CAPACITY / m <sup>3</sup>	WIDTH / mm	WEIGHT / kg
W50BTC	0.70	1900	265
W50BTC	0.80	1900	295
W60BTC	0.80	2050	315
W60BTC	0.90	2050	335
W70BTC	0.90	2050	335
W70BTC	1.00	2100	365
W80BTC	1.00	2100	365
W80BTC	1.10	2100	370
W80BTC	1.20	2100	410

# NEW HOLLAND. THE POWER OF A GLOBAL BRAND

**New Holland is a global brand** with a key position in the Construction Equipment business. It supplies a **complete range of 13 product lines and 80 basic models** split into **Compact line** and **Heavy line**. It operates in all the main markets, such as **Europe, North and Latin America, Africa, Asia and Middle East** with the same technology and under the same logo and brand. It manufactures **durable, safe and productive** machines aimed at supporting customers in developing their own business. **Dealers are company partners**. They play an important role to support the brand in their territories through intense professional relationship with Customers. New Holland is reinforced by its **global alliance with Kobelco**: world leader in hydraulic excavator technology.



AT YOUR OWN DEALERSHIP

The information contained in this brochure is intended to be a general nature only. The NEW HOLLAND KOBELCO CONSTRUCTION MACHINERY S.p.A. company may at any time and from time to time, for technical or other necessary reasons, modify any of the details or specifications of the product described in this brochure. Illustrations do not necessarily show products in standard conditions. The dimensions, weights and capacities shown herein, as well as any conversion data used, are approximate only and are subject to variations within normal manufacturing techniques.

Published by NEW HOLLAND KOBELCO CONSTRUCTION MACHINERY S.p.A.  
Printed in Italy - LEADER Firenze - Cod. 30 455GB - Printed 04/09

Printed on recycled paper  
CoC-FSC 000010 CQ Mixed sources



ELEMENTAL  
CHLORINE  
FREE  
GUARANTEED

FIAT  
GROUP



BUILT AROUND YOU



[www.newholland.com](http://www.newholland.com)